

RFA-S1-C55H1-150D034

Specifications

Frequency	863-928 MHz
Peak gain	2.0 dBi
Antenna type	half-wave dipole
VSWR	3.0 : 1 Max.
Polarization	Linear, vertical
Impedance	50 Ω
Connector	IPEX
Cable	\varnothing 1.13 / L=150mm

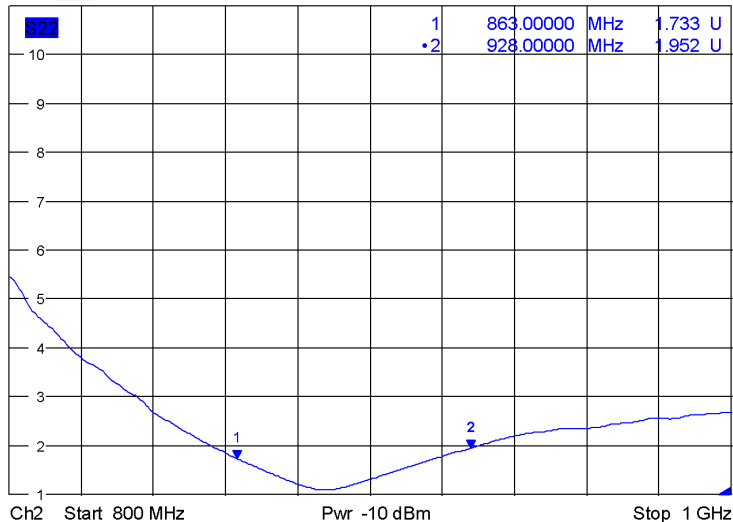
Environment & Mechanical Characteristics

Temperature	- 10°C to +55°C
Humidity	95% @ 25°C

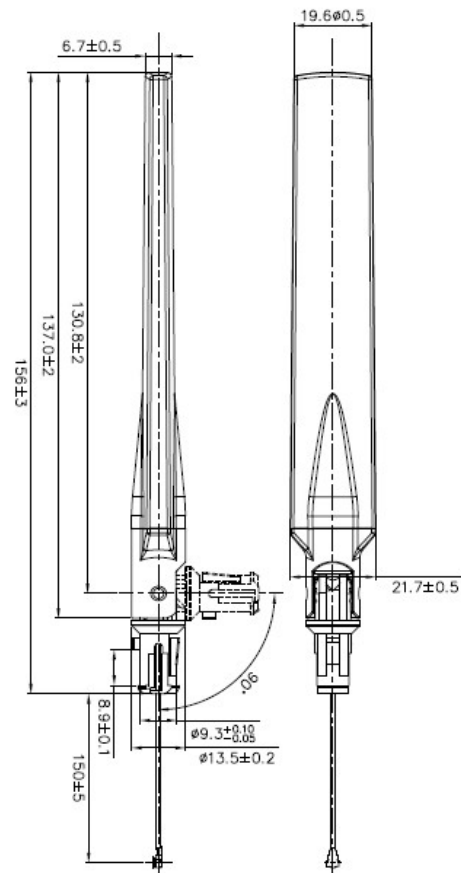


VSWR

Trc3 S22 SWR 1 U/ Ref 1 U Cal int Smo 3 of 2 (Max)



Date: 13.DEC.2019 12:37:14



Radiation Pattern

L2 Band = 791 - 960 MHz % LTE-L Band

