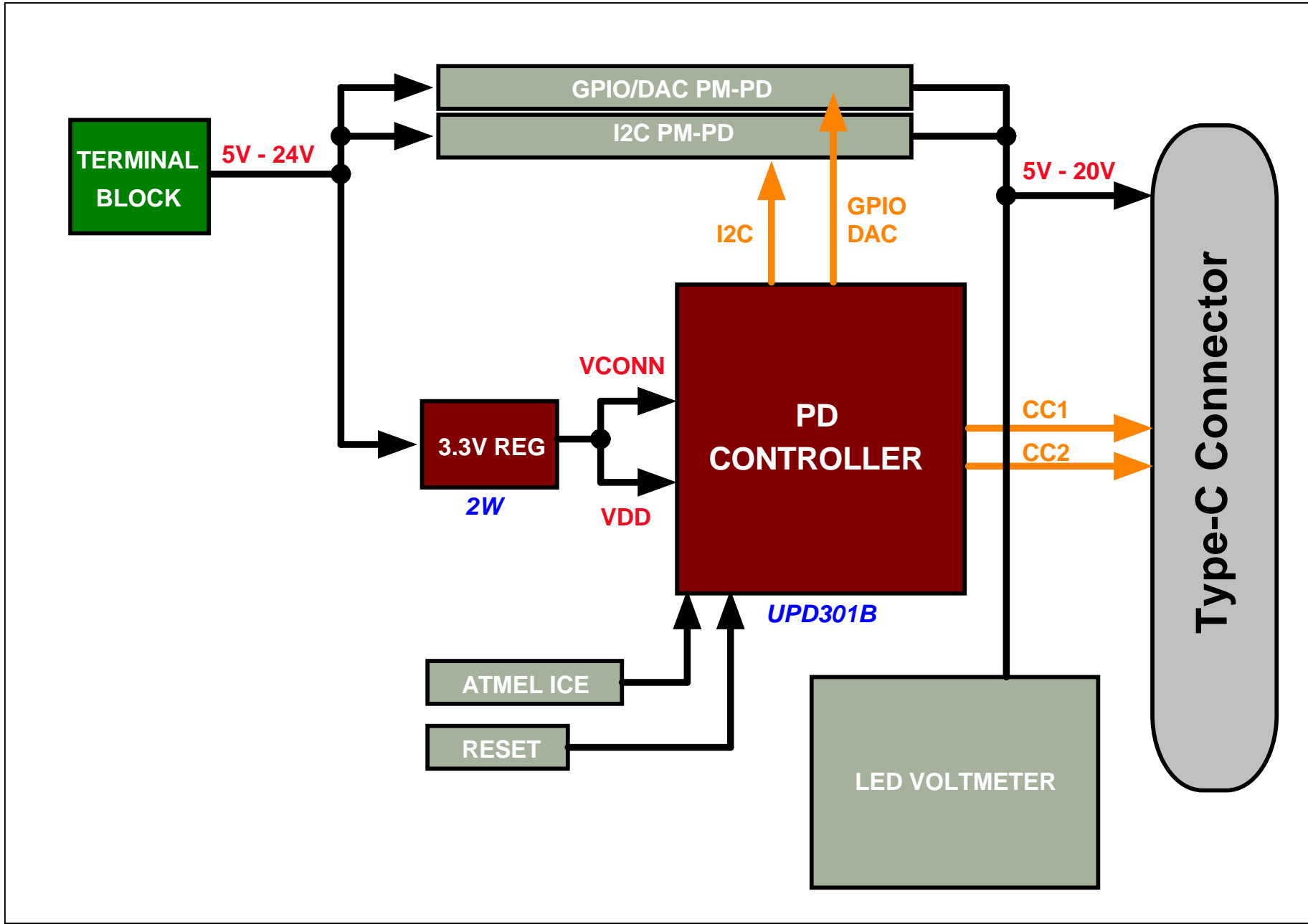



UPD301B Basic Source Application Example


Table of Contents	
Sheet	Description
1	Table of Contents and Block Diagram
2	UPD301B Basic Source Application Example

Revision History			
Revision	Date	Revision Summary	Author
R1.0	04/16/2020	Release for Schematic Review	Mick Davis
R2.0	08/14/2020	Added 5x2 Debug Header	Mick Davis

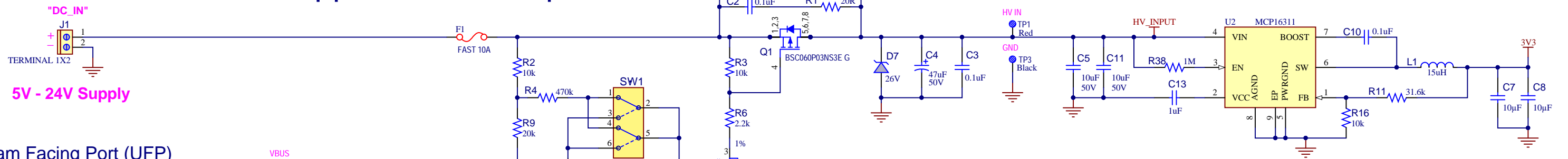


Notes	
01	All resistors to have +/- 1% tolerance.

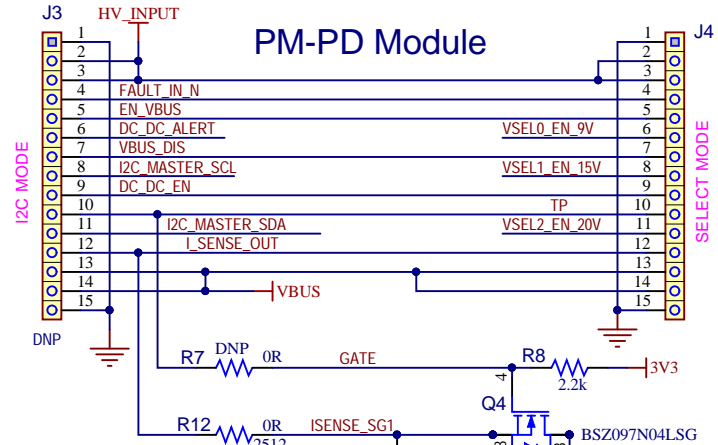
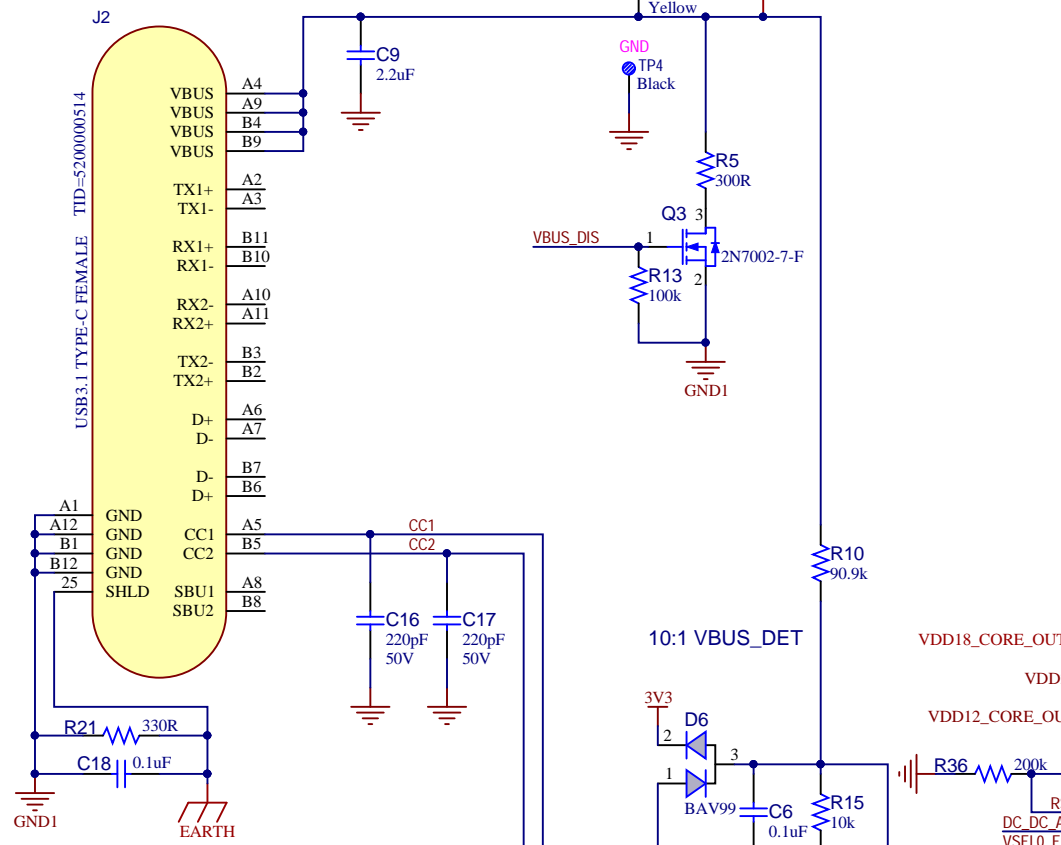
Drawn By: Mick Davis			
Engineer: Mick Davis			
PartNumber: EV56W72A	Project Title UPD301B Basic Source Application Example	Variant: [No Variations]	
Sheet Title Table of Contents and Block Diagram			
Size Tabloid	SCH #: 03-00054 PCB #: 04-11129	Rev:2.0 Rev:2.0	Date: 2/12/2021 Sheet 1 of 2
File: 11129-TOC.SchDoc			

Designed with 

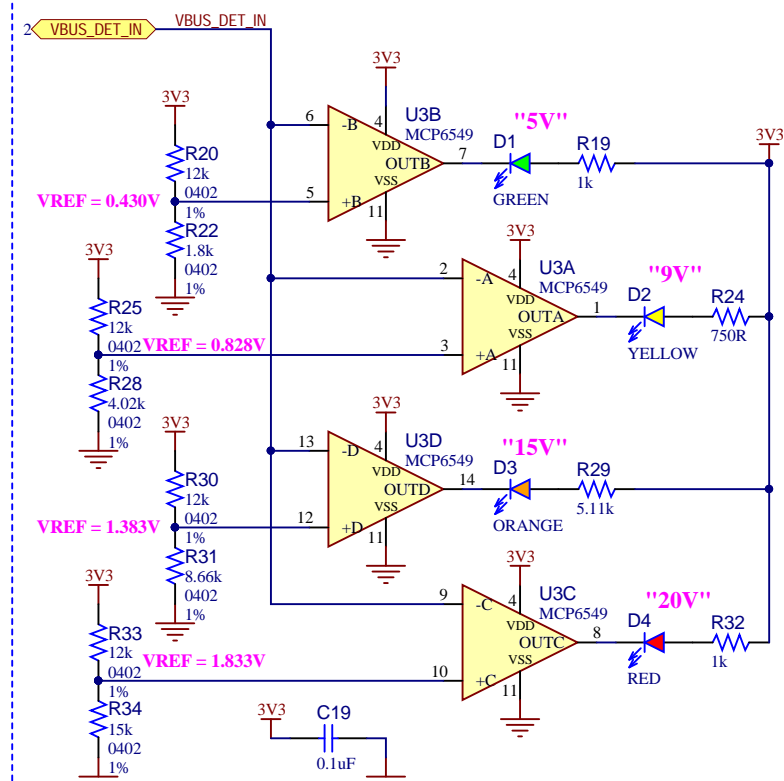
UPD301B Basic Source Application Example



Upstream Facing Port (UFP)

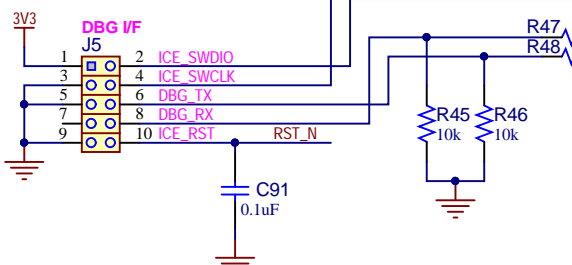


VBUS LED Volt Meter (Optional)

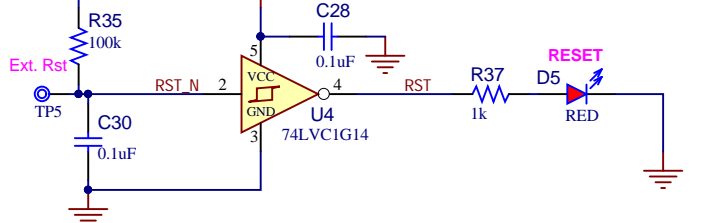


The LED Voltmeter provides a visual indication of the approximate voltage at the PD connector.

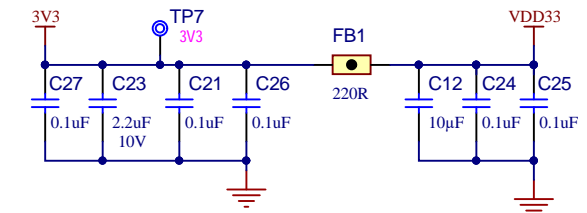
Atmel ICE I/F



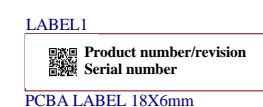
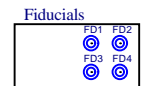
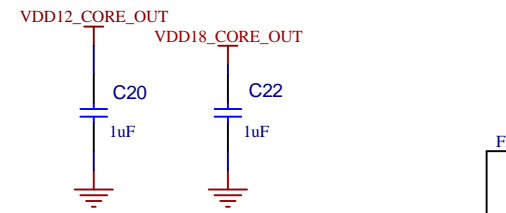
Reset



Internal SAMD20 Bypass Caps



Internal UPD350 Bypass Caps



Drawn By: Mick Davis		
Engineer: Mick Davis		
PartNumber: EV56W72A	Project Title UPD301B Basic Source Application Example	Variant: [No Variations]
Sheet Title UPD301B Basic Source Application Example		
Size Tabloid	SCH #: 03-00054 PCB #: 04-11129	Rev:2.0 Rev:2.0
Date: 2/12/2021		Sheet 2 of 2
File: 11129-UPD301.SchDoc		